

# DL24EW 150W Smart Power Electronic Load Tester

Non-WIFI version

WIFI version

## Technical parameters

Test voltage: **2-200V**

Working current: **0.2-25A**

Discharge power:

Voltage X Current **<150W**

Constant Load

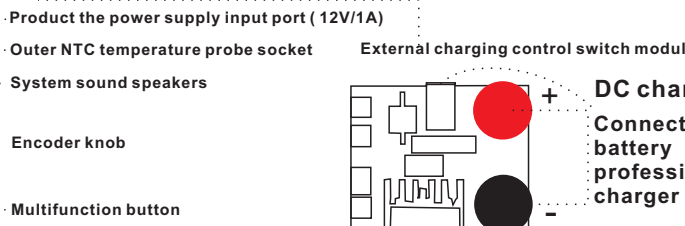
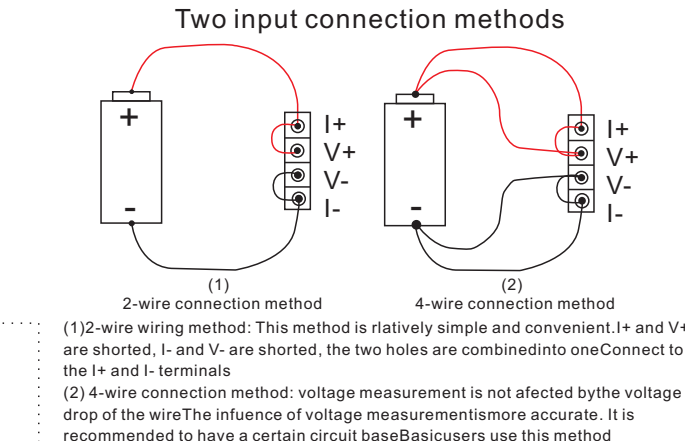
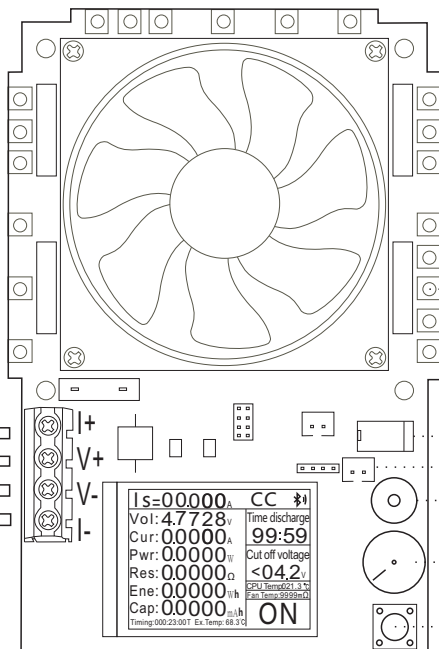
Regulation: **+3% + 3 bytes**

DC5.5 Test inputs

MiNi USB Test inputs

Micro USB Test inputs

Type-C Test inputs



**Notes:**  
 This meter Only supports 2.4G Wireless Network, NOT for 5G  
**Be sure to turn on the phone's Bluetooth mode and GPS positioning**



Please search for **tuya** name or **smart life** name in Google Play or Apple Store  
 Download app and install!

**Support android 5.0 above app and IOS 8.0 above APP!** Mobile and computer APP software download address: <http://www.atorch.cn>



For more information, please scan the QR code to visit the official

Reminder: need to order