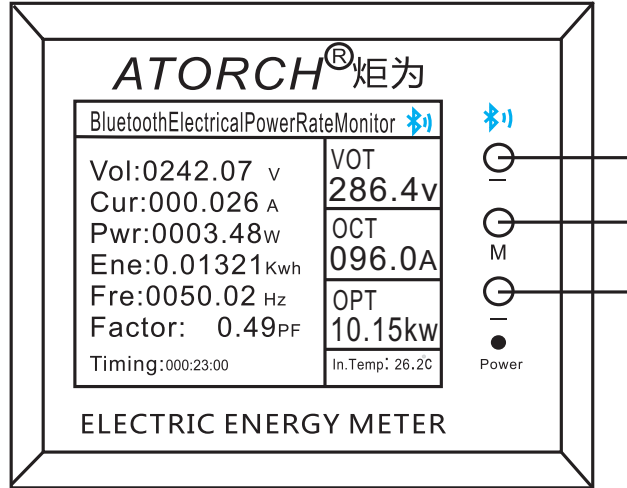
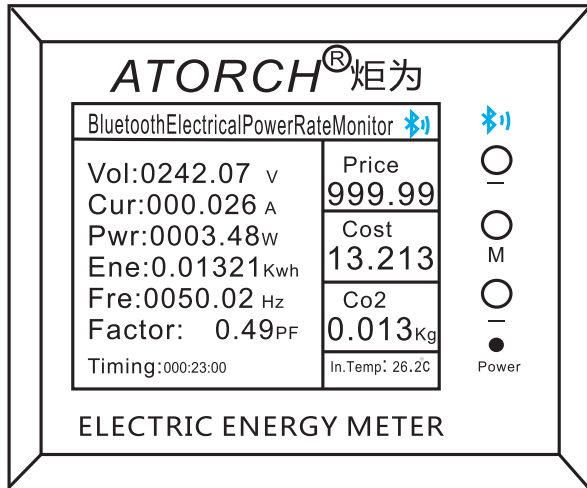
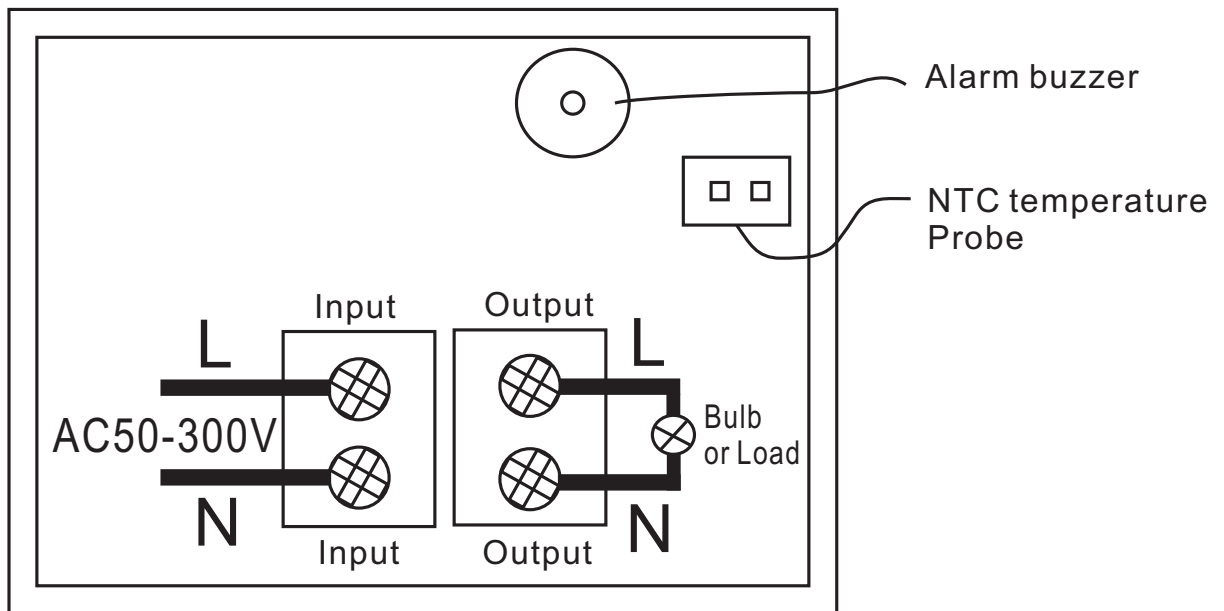


AT24 Voltmeter User manual



key button

Wiring diagram



Key operation:

1. Click the "+" or "-" button to switch the measurement interface!
2. Click the "M" button to enter the electricity price setting, the number on the screen will flash, set the electricity price setting through "+" or "-", long time press "M" button to confirm OK!
3. Long time press the "M" button to enter the background, you can set the product's over power, over voltage, over current and data reset zero!

AC meter electrical parameter:

Voltage measurement range: 0050.00V~0300.00V Resolution accuracy: 0.01V
 Current measurement range: 0.000A~30.000A Resolution accuracy: 0.001A
 Power measurement range: 0000.00W~9000.00w Resolution accuracy: 0.01W
 Power accumulation range: 0.00000 ~99999.9(Kwh) Resolution accuracy: 0.00001 Kwh
 The total range of electricity charges: 0.0000~9999.9 \$ Resolution accuracy: 0.001 yuan or other countries
 Electricity price setting range: 000.00~999.99 \$ Resolution accuracy: 0.01 yuan or other country
 Carbon dioxide range: 000.00~999.99Kg (KWh*997/1000 5/3 bit switch)
 Temperature measurement range: 0~099.9°C Resolution accuracy: 0.1 °C
 Standby power consumption: <0.5W~1W
 Refresh time: >500mS/time> 500mS/time
 Measurement rate: about 0.5 times / sec
 Display type: micro-power HD 2.4" module black font green backlight Chinese and English display
 Product size: 85.7 x 63.0 x 23.7mm
 Working temperature: -10~+60°C
 Working humidity: 10~80 (no doubt exposed) 10~80 (no doubt)
 Working pressure: 80~106kPa